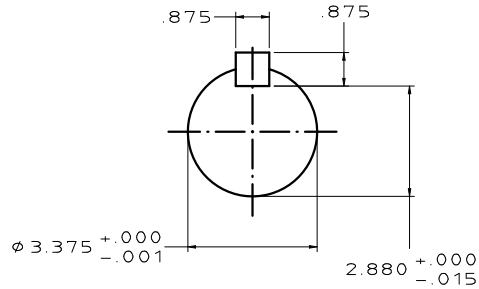
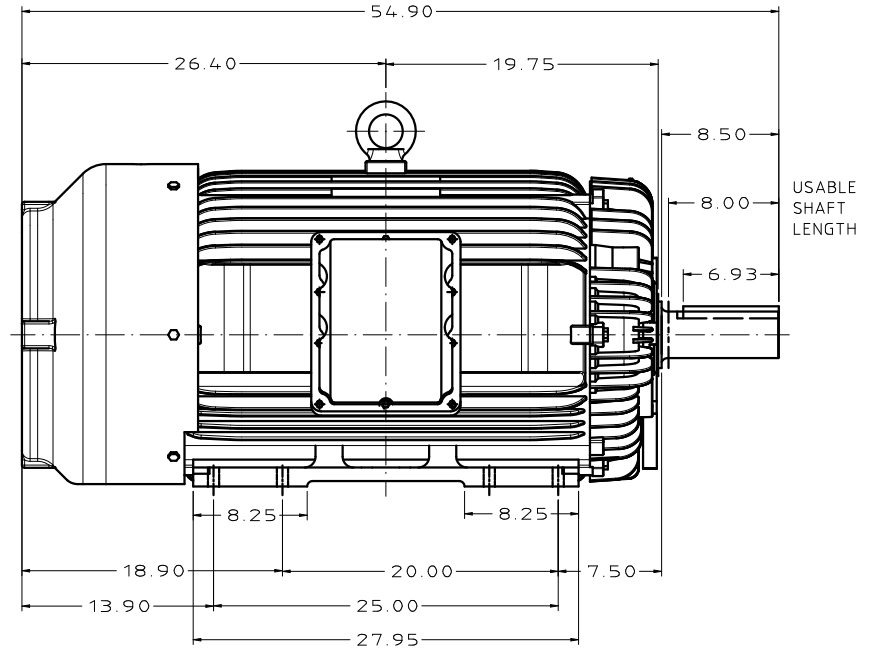
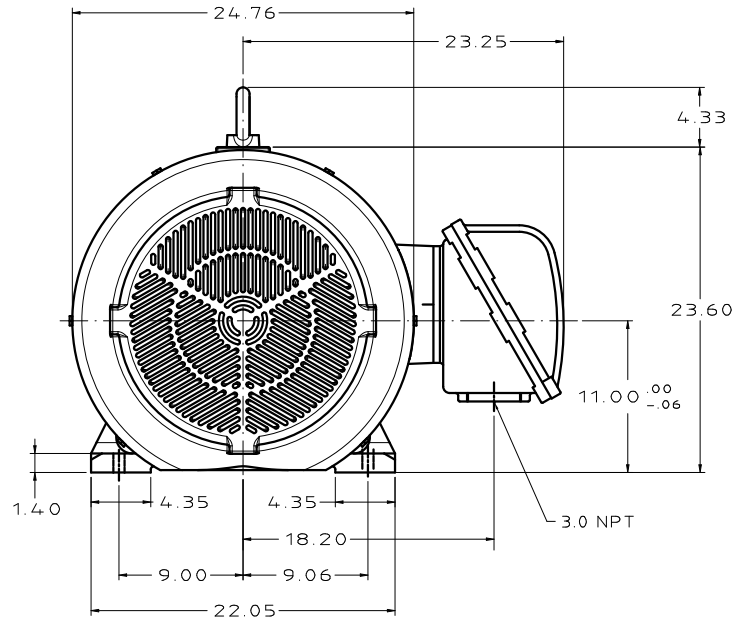


CATALOG #	TYPE	FRAME	OUTPUT		POLE	SYN. SPEED R.P.M.	VOLTAGE V.	Hz.	TIME RATING	INSULATION CLASS	SERVICE FACTOR	BEARINGS		WEIGHT LBS
			HP	kW								DE	NDE	
XP2004	AEHXXU	447T/449T	200	149	4	1800	460	60	CONT.	F	1.15	6320C3	6316C3	3000

TOTALLY ENCLOSED FAN-COOLED TYPE. SQUIRREL CAGE MOTOR



NOTES:

1. DIMENSIONS IN INCH.
2. ENCLOSURE: IP54.
3. FOR DIRECT FLEXIBLE COUPLING.
4. SUITABLE FOR DIVISION I, CLASS I, GROUP D AND CLASS II, GROUPS E,F,G.

REV. DATA	<b>TECO Westinghouse</b>			REV NO 01
	3-PHASE INDUCTION MOTOR OUTLINE DIMENSIONS			DWG NO. XP2004
REF:	DWN T. FELPS	072314	APPD S. GROHOSKY	072314
	TECO-WESTINGHOUSE MOTOR COMPANY			ROUND ROCK, TEXAS USA